



O'DRILL • MCM, INC.

5055 Cranswick Rd. • Houston, TX 77041
Tel: (713) 541.2020 • Fax: (713) 541.9090

MCM Vertical Pump Package

Available in 20HP - 150HP at 1200, 1800 & 3600 RPM
Sizes: 3x2x13 thru 8x6x14

Features:

- *Uses Standard TEFC or Explosion Proof Motors*
- *Direct Bolt-on replacement for Mission® Verticals
No Piping Change Required!*
- *Pump and Motor can be removed individually for easy maintenance*
- *Less deck space required*
- *Big \$\$\$ Savings!*

**ISO 9001
REGISTERED**

**The
Very Best
For Less!**

**Best Design
on the Market!**

Give Us a Call!



*With special
Heavy Duty
mechanical seal*

*Patent
Pending*

Toll Free: 1-800-255-6263
email: sales@odrillmcm.com
www.odrillmcm.com

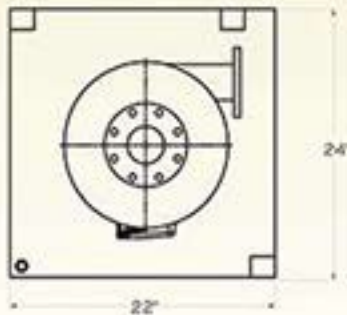


O'DRILL • MCM, INC.

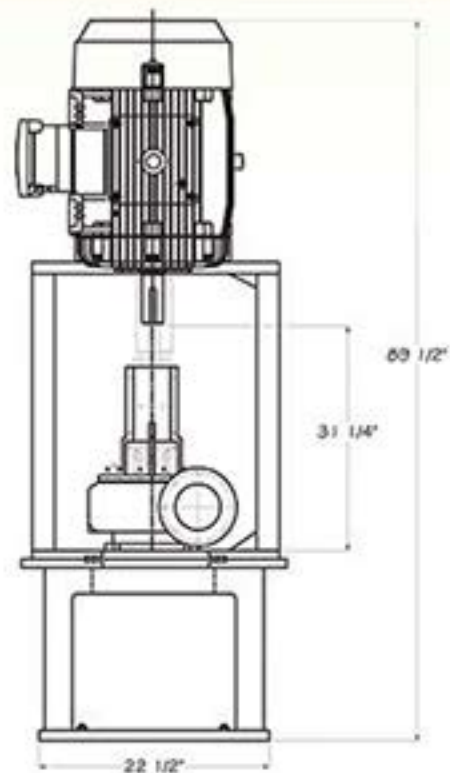
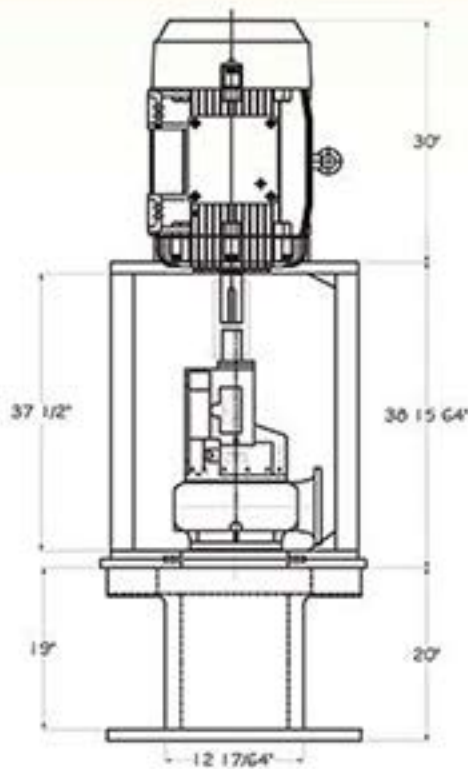
5055 Cranswick Rd. • Houston, TX 77041
Tel: (713) 541.2020 • Fax: (713) 541.9090

ISO 9001 Registered

MCM Vertical Pump Package



- For use in Agriculture, Municipal Water Plants, Sewage Plants, Waste Disposal, and Drilling Rig Service
- Free standing Unit; pump or motor can be removed for servicing
- Uses standard C-Face motors; no special manufacture motors
- Base comes with Tee or Elbow for easy suction line connection
- Small foot print, takes up less floor space, 28"X 28"
- Available in sizes 3X2X13 to 8X6X14
- Mechanical seal for no leakage



- Pressure to 200 PSI, volume to 2500GPM
- 20-150HP TEFC or Explosion Proof Motors
- Interchangeable with Mission® Vertical!

Give Us a Call !

Toll Free: 1-800-255-6263
email: sales@odrillmcm.com
www.odrillmcm.com